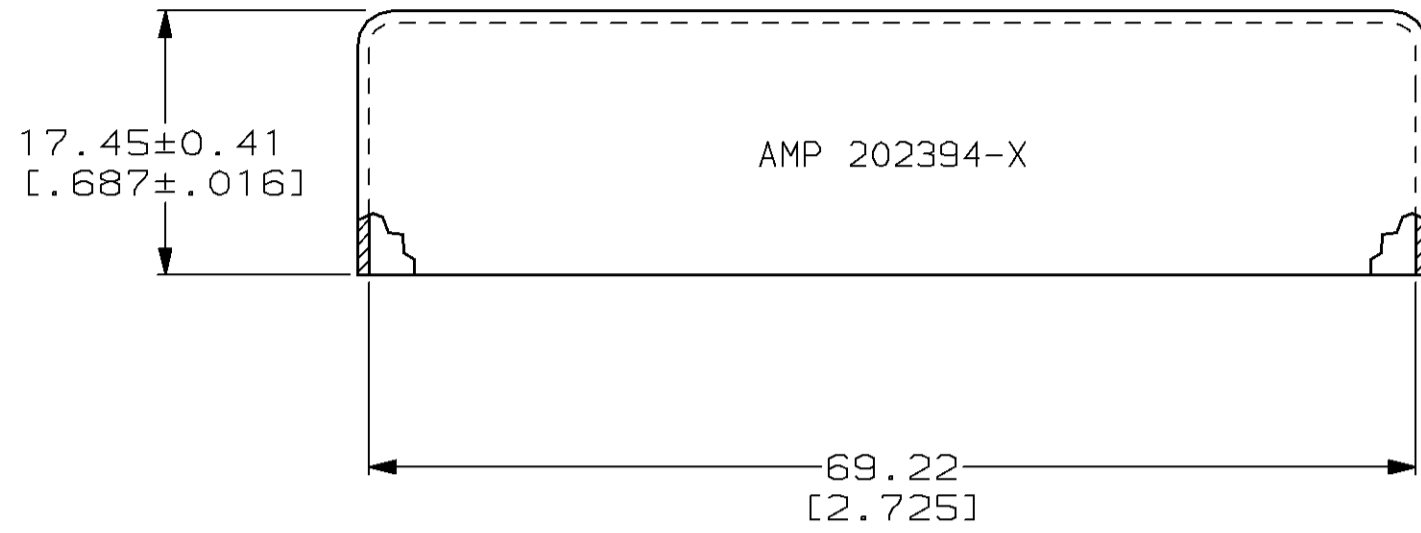
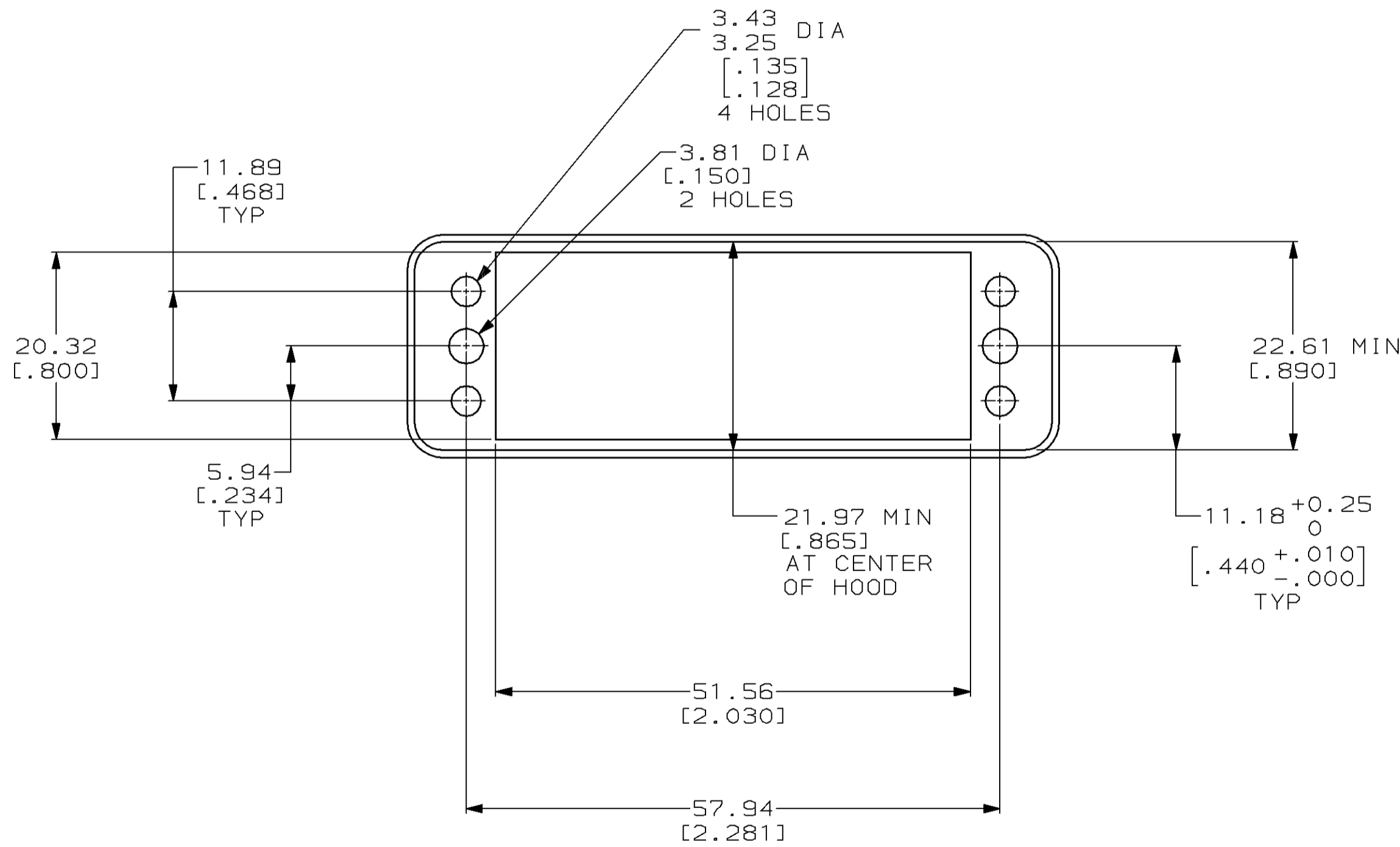


THIS DRAWING IS UNPUBLISHED. RELEASED FOR PUBLICATION
 BY AMP INCORPORATED. ALL RIGHTS RESERVED.

LOC	DIST	REVISIONS				
P	LTR	DESCRIPTION	DATE	DWN	APVD	
BD	36	J	REDRAWN PER EC 0020-930-95	19 SEP 95	-	-
		K	OBSOLETE -1 PER EC 0020-492-95	27 OCT 95	CD	GS



- ① 0.79 [.031] THICK ALUMINUM ALLOY.
- ② 0.79 [.031] THICK CARBON STEEL.
- ③ CLEAR IRIDITE.
- ④ 5.08µm [.000200] MIN NICKEL.



OBSOLETE	④	②	202394-2
	③	①	202394-1
	FINISH	MATERIAL	PART NUMBER

THIS DRAWING IS A CONTROLLED DOCUMENT FOR AMP INCORPORATED. IT IS SUBJECT TO CHANGE AND THE CONTROLLING ENGINEERING ORGANIZATION SHOULD BE CONTACTED FOR THE LATEST REVISION.		DWN	19 SEP 95	AMP Incorporated Harrisburg, PA 17105-3608		
DIMENSIONS:		CHK	25 SEP 95			
mm [INCHES]		APVD	04 OCT 95			
TOLERANCES UNLESS OTHERWISE SPECIFIED:		NAME	G. STEINHAUER			
0 PLC ±-	1 PLC ±-	PRODUCT SPEC	-	PIN HOOD, 50 PLACE, INTERNAL, M SERIES		
2 PLC ±-.13 [.005]	3 PLC ±-	APPLICATION SPEC	-			
4 PLC ±-	ANGLES ±-	WEIGHT	-	SIZE	CAGE CODE	DRAWING NO
FINISH	SEE TABLE	CUSTOMER DRAWING	-	A2	00779	©=202394
			SCALE	SHEET	OF	REV
			2:1	1	1	K